



Material:

Housing: 30% Glass filled PBT UL94V-0

Contacts: Brass or Phosphor Bronze

Plating: Selective gold plated: gold plated on mating area and nickel plated on wire cutting area

Gold plated: 3u" over 50u" nickel

Cable: 1.27mm (0.050") pitch flat cable

Electrical Characteristics:

Current Rating: 1 AMP

Insulator Resistance: 5000MΩmin. at DC 500V

Contact Resistance: 20mΩmax. at DC 100mA

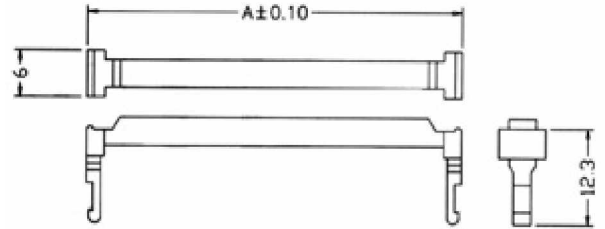
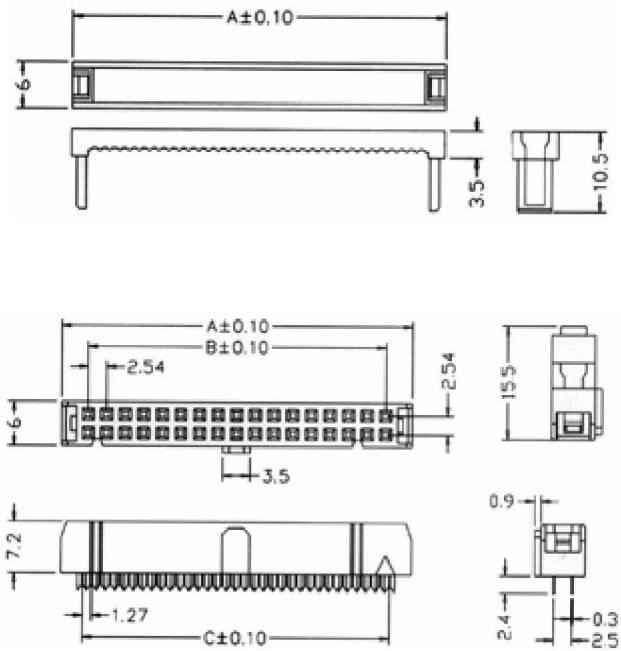
Operating Temperature: -55 ~+105

Features:

* Optional strain relief.

* Choices of gold plated or selective gold plated..

Yueqing shi kaifa electronic co.,ltd
 Tel: 0086-13634204680
<http://www.china-electrical-supplier.com>
 master@china-electrical-supplier.com



Position	Dimension		
	A	B	C
34	47.88	40.64	41.91
40	55.50	48.26	49.53

Ordering information

ZP	102-	<input type="checkbox"/>	<input type="checkbox"/>	<input type="checkbox"/>	<input type="checkbox"/>	<input type="checkbox"/>
Series	No.of Pin Count	0:Selective Gold 1:Gold Plated	0:Black 1:Grey 2:Blue	0:With S.R 1:Without S.R	0:With C.B 1:Without C.B	