



Material:

Housing: 30% Glass filled PBT UL94V-0

Contacts: Brass

Plating: Selective gold plated: gold plated on mating area and nickel plated on wire cutting area

Gold plated: 2u" over 50u" nickel

Tin plated: 100u" over 50u" nickel

Electrical Characteristics:

Current Rating: 1 AMP

Insulator Resistance: 5000MΩmin. at DC 500V

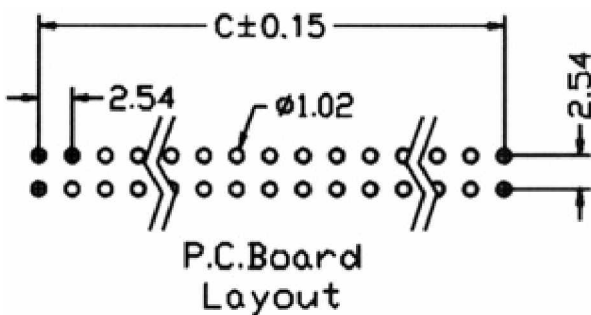
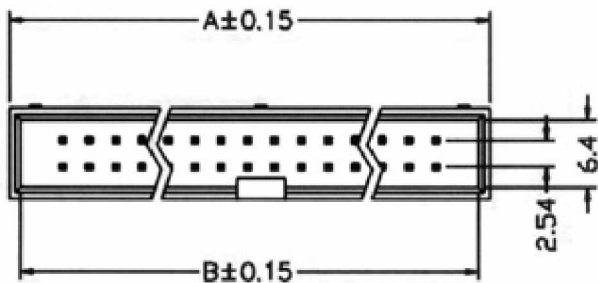
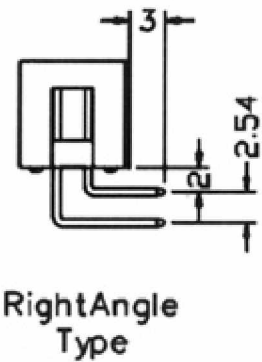
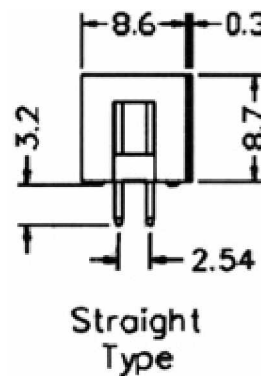
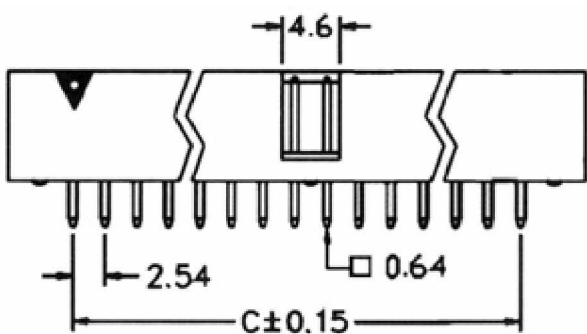
Contact Resistance: 20mΩmax. at DC 100mA

Operating Temperature: -55 ~+105

Features:

- * Fully shrouded provides ultimate reliability.
- * With center polarization.
- * Straight, Right angle and Wire Wrap.

Yueqing shi kaifa electronic co.,ltd
 Tel: 0086-13634204680
<http://www.china-electrical-supplier.com>
 master@china-electrical-supplier.com



Position	A	B	C
06	15.24	13.04	5.08
08	17.78	15.58	7.62
10	20.32	18.12	10.16
14	25.40	23.20	15.24
16	27.94	25.74	17.78
20	33.02	30.82	22.86
26	40.64	38.44	30.48
30	45.72	43.52	35.56
34	50.80	48.60	40.64
40	58.42	56.22	48.26
50	71.12	68.92	60.96
60	83.82	81.62	73.66
64	88.90	86.70	78.74

Ordering information

ZP 107-	<input type="checkbox"/>	<input type="checkbox"/>	<input type="checkbox"/>	<input type="checkbox"/>	<input type="checkbox"/>
Series	No. of Pin Count	0:Gold flash full gold 1: Tin plated 2: Selective Gold plated	0:Black 1: Grey 2: Blue	0: Straight 1: Right angle *2: Wire wrap	

* Currently only straight wire wrap available and length is XX.XXmm