

**Features:**

- \* Fully shrouded provides ultimate reliability,
- \* With polarization.
- \* Mounting ears optional,

**Mates with: 101 102 104 520 Material:**

Housing: 30% Glass filled PBT UL94V-0

Contacts: Brass

Plating: Selective gold plated: gold plated on

mating area and nickel plated on wire

Cutting area

Cable: 1.27mm (0.050") pitch flat cable

**Electrical Characteristics:**

Current Rating: 1 AMP Insulator Resistance: 5000MΩmin. at DC 500V

Contact Resistance: 20mΩmax. at DC 100mA

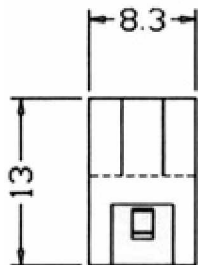
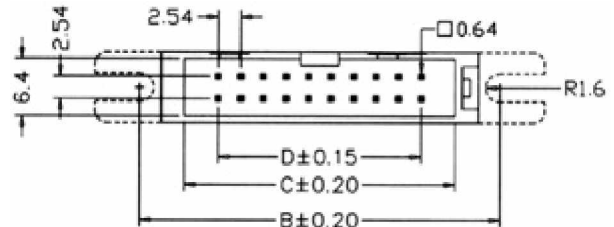
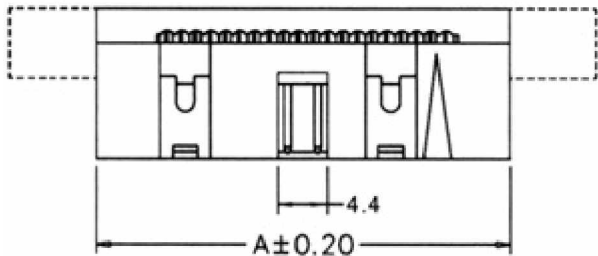
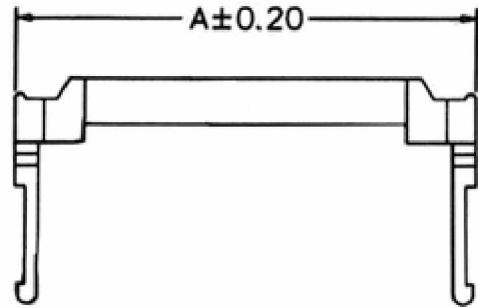
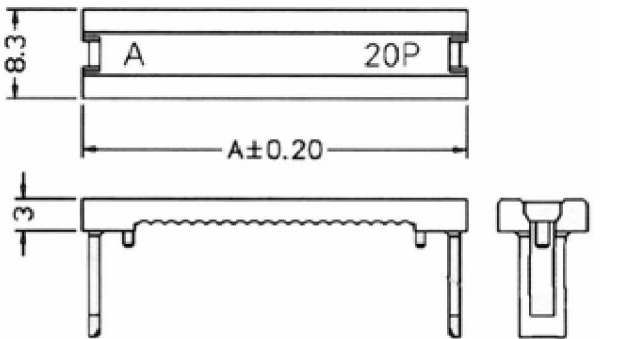
Operating Temperature: -55 ~+105 .

Yueqing shi kaifa electronic co.,ltd

Tel: 0086-13634204680

<http://www.china-electrical-supplier.com>

master@china-electrical-supplier.com



Position	A	B	C	D
10	22.98	27.94	17.93	10.16
14	28.10	33.02	22.93	15.24
16	30.64	35.56	25.55	17.78
20	35.70	40.64	30.56	22.86
26	43.06	48.26	38.20	30.48
30	48.44	53.34	43.40	35.56
34	53.38	58.42	48.30	40.64
40	60.96	66.04	56.06	48.26
50	73.72	78.74	68.70	60.96
60	86.44	91.44	81.34	73.66
64	91.46	96.52	86.43	78.74

**Ordering information**

ZP 112-

Series    No.of            0:Selective Gold plated    0:Grey            0:With S.R

            Pin Count    1:Gold plated            1:Black            1:Without S.R