



Material:

Housing: 30% Glass filled PBT UL94V-0

Contacts: Brass

Plating: Gold plated: 2u" over 50u" nickel

Tin plated: 100u" over 50u" nickel

Electrical Characteristics:

Current Rating: 1 AMP

Insulator Resistance: 5000MΩmin. at DC 500V

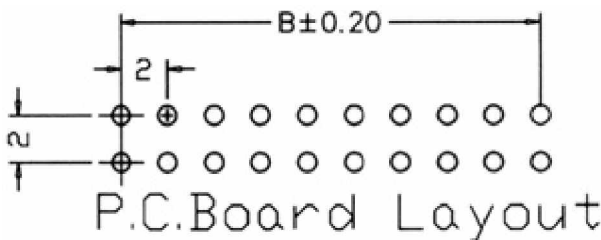
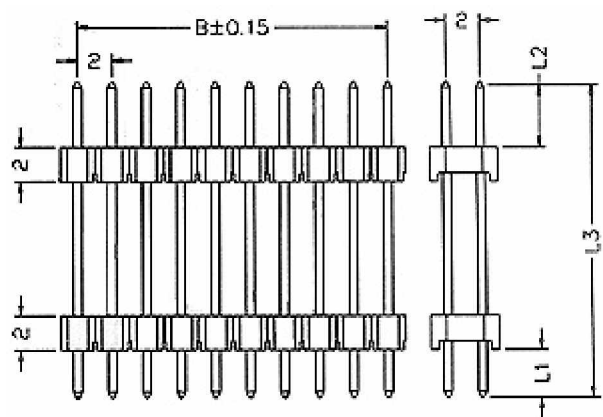
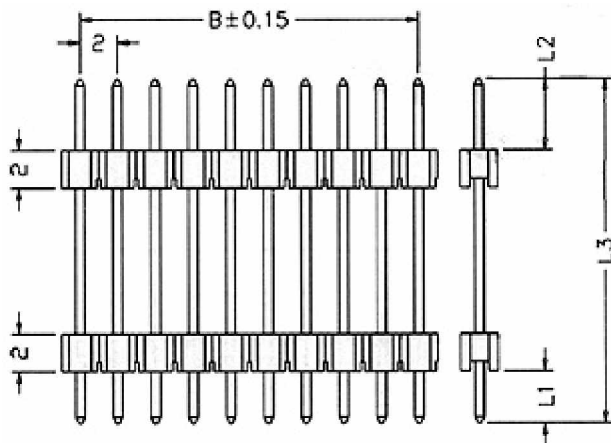
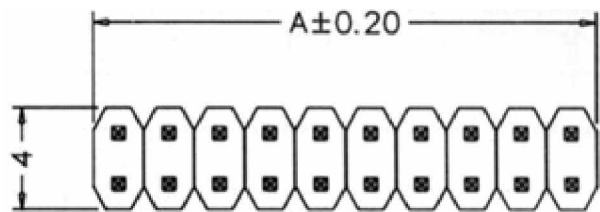
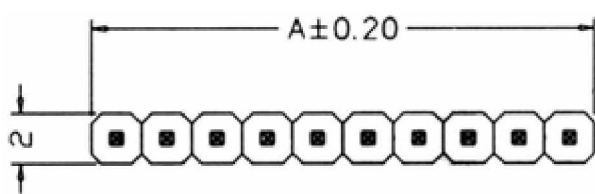
Contact Resistance: 20mΩmax. at DC 100mA

Operating Temperature: -55 ~+105

Features:

- * Dual insulators offer high versatility.
- * Side-to-side and end-to-end stackable.
- * Custom design provides excellent products flexibility.

Yueqing shi kaifa electronic co.,ltd
 Tel: 0086-13634204680
<http://www.china-electrical-supplier.com>
 master@china-electrical-supplier.com



Position	4 Thru 80
Dimension	
A	2.0xNo.of Positions
B	2.0xNo.of Positions-2.0

Ordering information

ZP 117-

Series No.of 0:Selective Gold plated 0:Black
 Pin Count 1:Tin plated 1:Grey

*L1: Dip Length L2: Mating Length L3: Extended Length