



Material:

Housing: 30% Glass filled PBT UL94V-0
 Contacts: Brass or Phosphor Bronze
 Plating: Selective gold plated: gold plated on mating area and nickel plated on wire cutting area
 Gold plated: 2u" over 50u" nickel
 Tin plated: 100u" over 50u" nickel

Electrical Characteristics:

Current Rating: 1 AMP
 Insulator Resistance: 5000MΩmin. at DC 500V

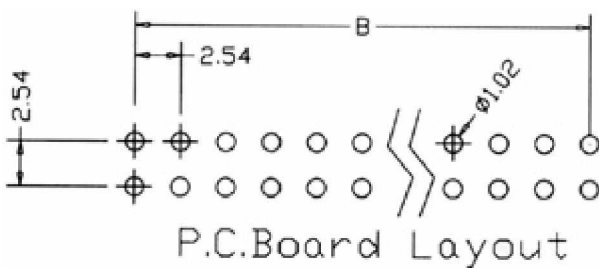
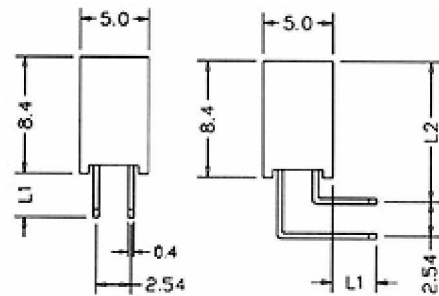
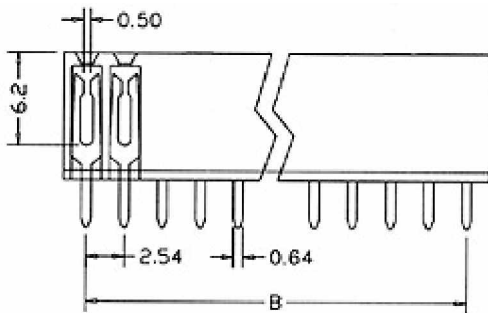
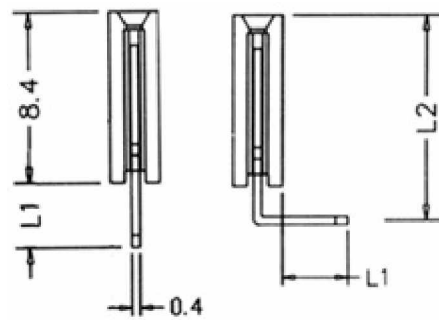
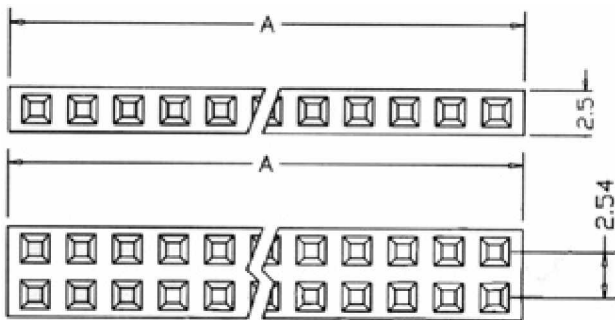
Contact Resistance: 20mΩmax. at DC 100mA

Operating Temperature: -55 ~+105

Features:

- * Available in straight and right angle.
- * Turning fork contacts offer lower cost for competitive market.

Yueqing shi kaifa electronic co.,ltd
 Tel: 0086-13634204680
<http://www.china-electrical-supplier.com>
 master@china-electrical-supplier.com



| | |
|-----------|---------------------------|
| Position | 2 Thru 40 |
| Dimension | 4 Thru 80 |
| A±0.20 | 2.54xNo.of Positions+0.5 |
| B±0.15 | 2.54xNo.of Positions-2.54 |

Ordering information

ZP 118-

Series No.of 0:Gold plated 0:Straight 0:Black
 Pin Count 1:Tin plated 1:Right Angle 1:Grey
 3:Selective Gold plated

*L1:Dip Length(3.2mm) L2:Mating Length(10.2mm)