

Material:

Housing: 30% Glass filled PBT UL94V-0
 Contacts: Brass or Phosphor Bronze
 Plating: Gold plated: 2u" over 50u" nickel
 Tin plated: 100u" over 50u" nickel

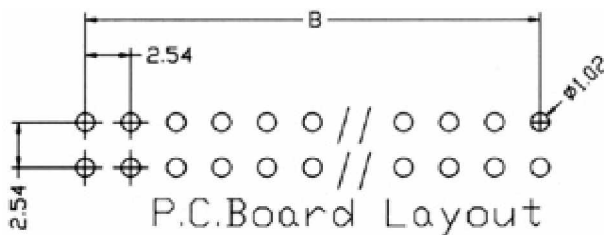
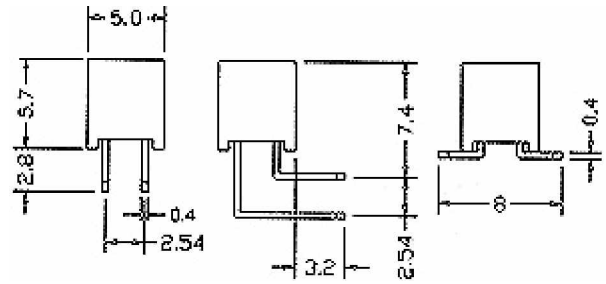
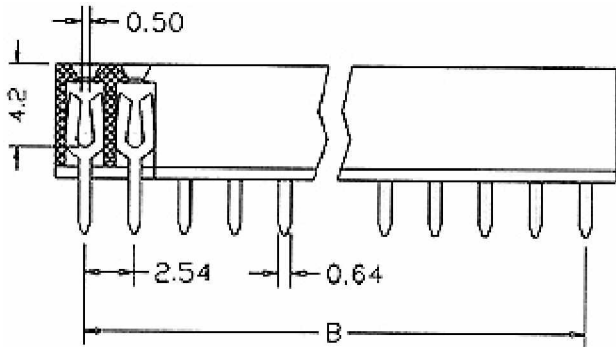
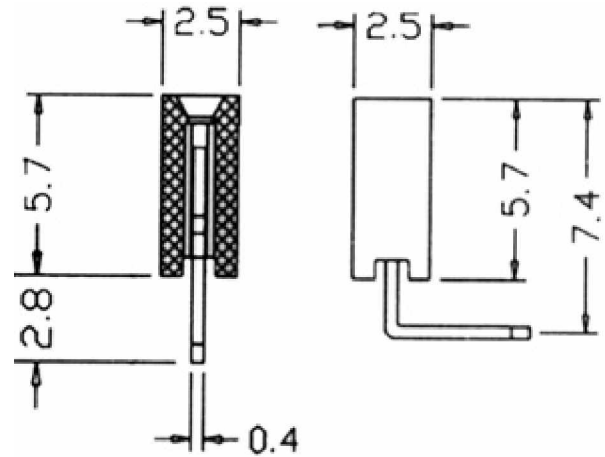
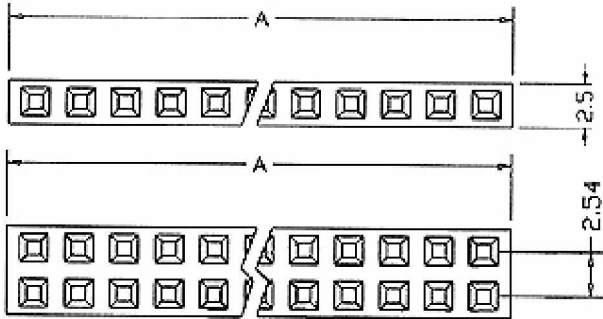
Electrical Characteristics:

Current Rating: 1 AMP
 Insulator Resistance: 5000MΩmin. at DC 500V
 Contact Resistance: 20mΩmax. at DC 100mA
 Operating Temperature: -55 ~+105

Features:

- * Available in both straight and right angle.
- *Turning fork contacts offer lower cost for competitive market.

Yueqing shi kaifa electronic co.,ltd
 Tel: 0086-13634204680
<http://www.china-electrical-supplier.com>
 master@china-electrical-supplier.com



Position	2 Thru 40
Dimension	4 Thru 80
A±0.20	2.54xNo.of Positions+0.5
B±0.15	2.54xNo.of Positions-2.54

Ordering information

ZP 120-	<input type="checkbox"/>	<input type="checkbox"/>	<input type="checkbox"/>	<input type="checkbox"/>	<input type="checkbox"/>
Series	No.of Pin Count	0:Gold plated 1:Tin plated	0:Black 1:Grey	0:Straight 1:Right Angle	