



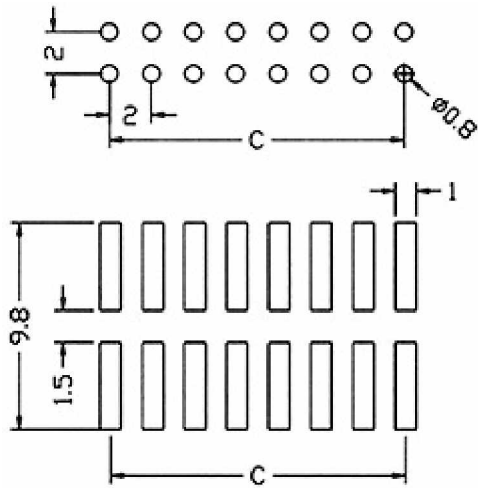
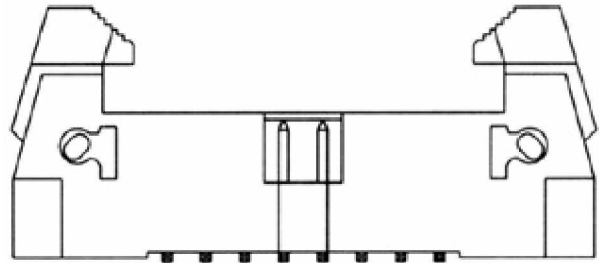
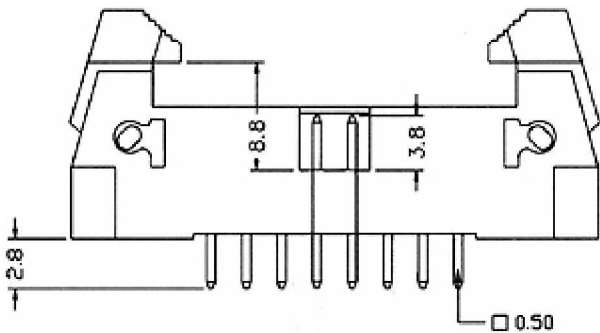
**Material:**

Housing: 30% Glass filled PPS&PBT UL94V-0  
 Contacts: Phosphor Bronze  
 Plating: Gold plated: 3u"over 80u" nickel  
 Tin plated: 120u" over 80u" nickel

**Electrical Characteristics:**

Current Rating: 1 AMP  
 Insulator Resistance: 5000MΩmin. at DC 500V  
 Contact Resistance: 20mΩmax. at DC 100mA  
 Operating Temperature: -55 ~+110 .

Yueqing shi kaifa electronic co.,ltd  
 Tel: 0086-13634204680  
<http://www.china-electrical-supplier.com>  
[master@china-electrical-supplier.com](mailto:master@china-electrical-supplier.com)



Position	A	B	C
10	23.80	14.50	8.00
16	29.80	20.50	14.00
20	33.80	24.50	18.00
26	39.80	30.50	24.00
34	47.80	38.50	32.00
40	53.80	44.50	38.00

**Ordering information**

ZP 131-                      
 Series    No.of                      0:Gold plated                      0:PBT                      0:Straight  
             Pin Count                      1:Tin plated                      1:PPS                      1:Surface Mountl

\*Currently only straight wire wrap available and dip length is XX.XXmm