

Material:

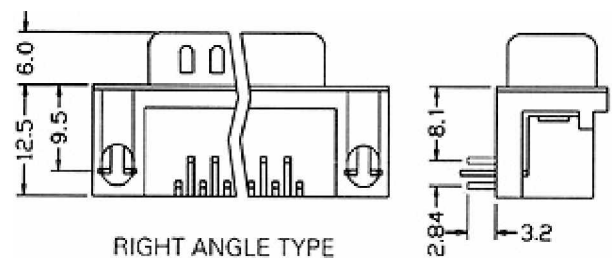
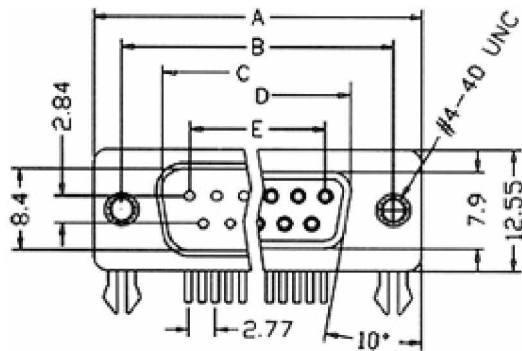
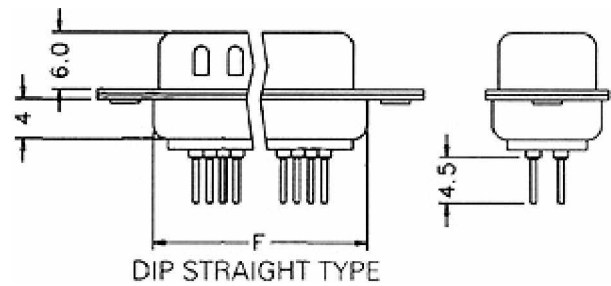
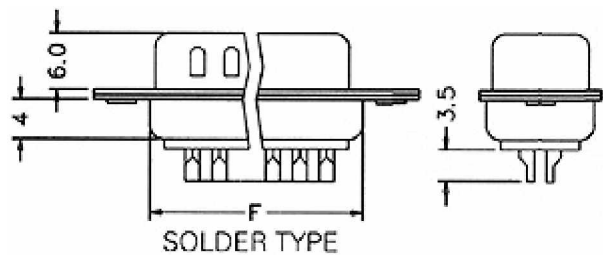
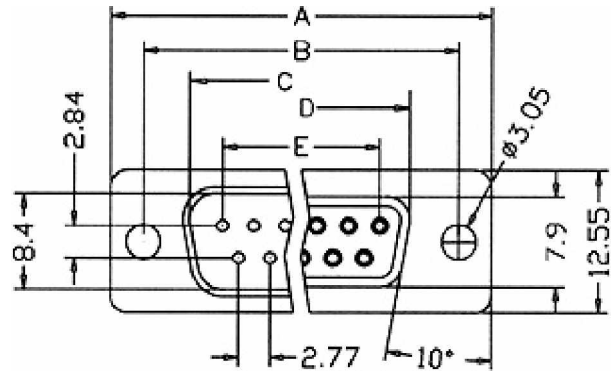
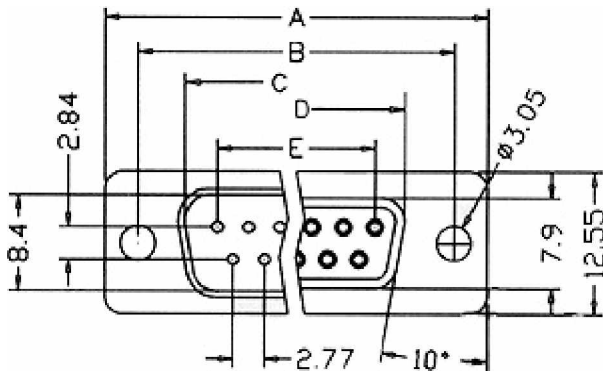
Housing: 30% Glass filled PBT UL94V-0
 Contacts: Phosphor Bronze
 Shell: Steel, 100u" Tin Over 50u" min Nickel
 Clinch Nut: Brass, 100u" min Nickel Plated
 Screwlock: Brass, 100u" min Nickel Plated

Electrical Characteristics:

Current Rating: 2 AMP

Insulator Resistance: 5000MΩmin. at DC 500V
 Contact Resistance: 20mΩmax. at DC 100mA
 Operating Temperature: -55 ~+105 .

Yueqing shi kaifa electronic co.,ltd
 Tel: 0086-13634204680
<http://www.china-electrical-supplier.com>
 master@china-electrical-supplier.com



Position	A	B	C	D	E	F
09	30.81	22.99	16.92	16.33	11.08	19.20
15	39.14	33.32	25.50	24.66	19.39	27.70
25	53.04	47.04	38.96	38.38	33.24	41.10
37	69.32	63.50	55.42	54.84	49.86	57.30

Ordering information

ZP 133-
 Series No.of 0:Male 0:Blue 0:φ3.2mm clear hole
 Pin Count 1:Female 1:Black 1:#4-40 UNCI

*Currently only straight wire wrap available and dip length is XX.XXmm