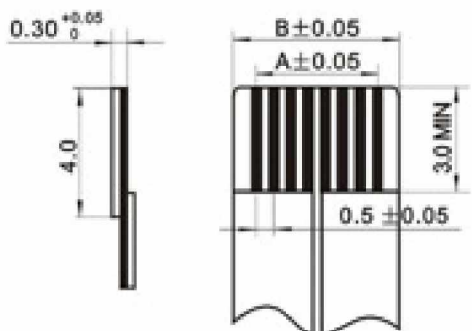
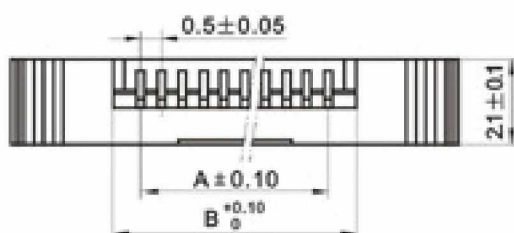
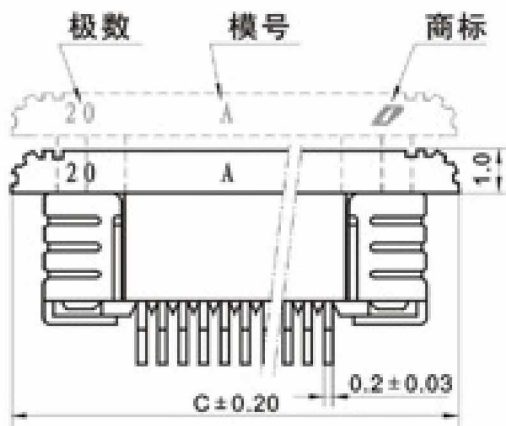
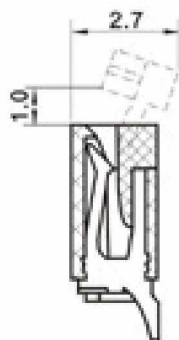


0.5A-WTS-nP

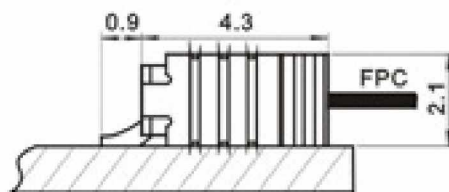
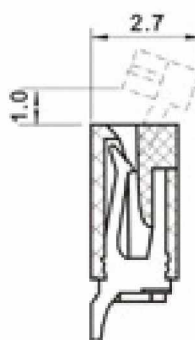


适用扁平电缆
Proper cable

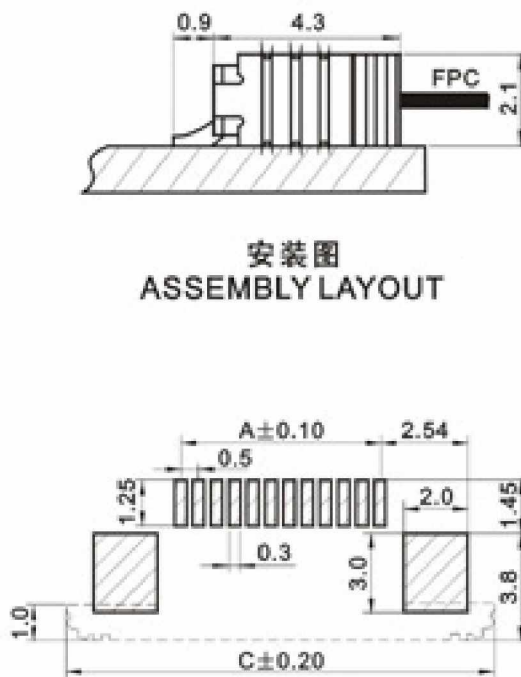
0.5A-WTS-nP



0.5A-WTX-nP



安装图
ASSEMBLY LAYOUT



印制线路板
PCB P.C.B Layout

0.5A-WTS-nP

- 间距 (Pitch) _____
- 型号:(Model) _____
- 卧式: W _____
- Horizontal pype:W _____
- 贴式:T _____
- SMT:T _____
- 上接点:S (下接点:X) _____
- Top of contact: S(Bottom of contact:X) _____
- 线数 (Hole location) _____



Yueqing sunrising electronic co.,ltd
Tel: 0086-13634204680
<http://www.china-electrical-supplier.com>
master@china-electrical-supplier.com