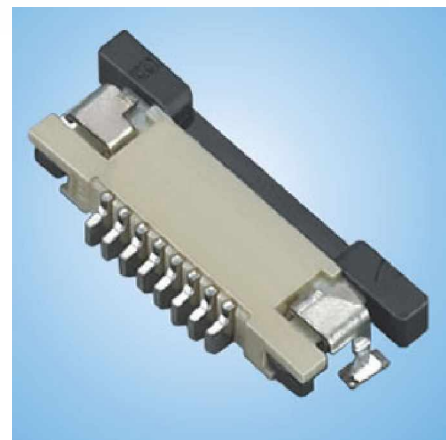
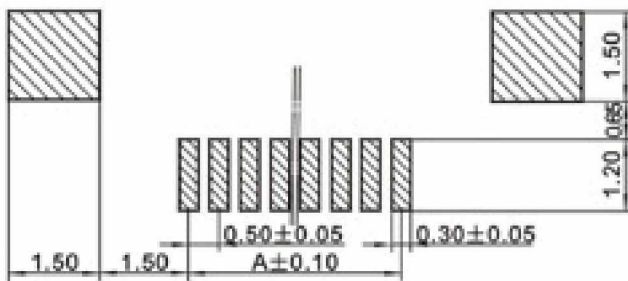
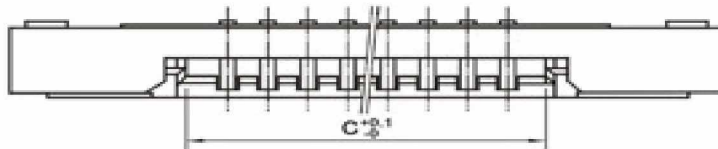
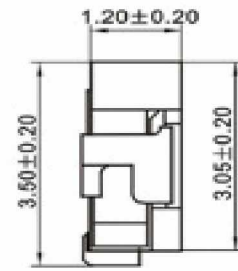
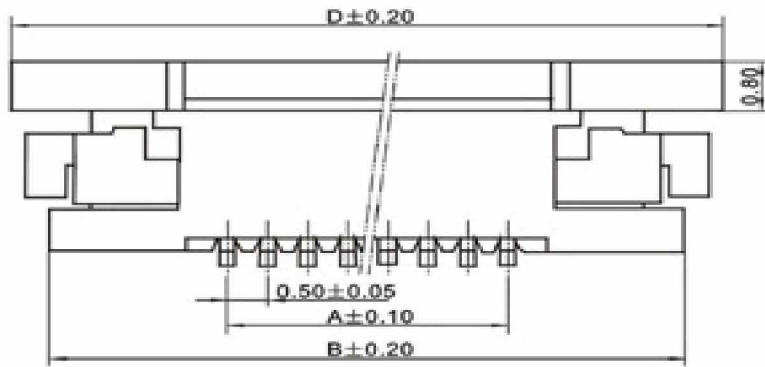
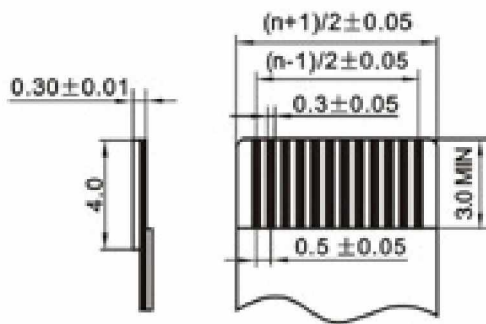


0.5F-WTS-nP



PCB寸法
PCB Layout



适用FFC寸法
Applicable FFC

- 0.5F-WTS-nP
- 间距 (Pitch) _____
 - 型号:(Model) _____
 - 卧式: W _____
 - Horizontal pype:W _____
 - 贴式:T _____
 - SMT:T _____
 - 上接点:S (下接点:X) _____
 - Top of contact: S(Bottom of contact:X) _____
 - 线数 (Hole location) _____

Yueqing sunrising electronic co.,ltd
 Tel: 0086-13634204680
<http://www.china-electrical-supplier.com>
master@china-electrical-supplier.com