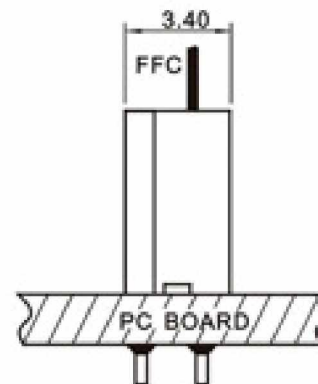
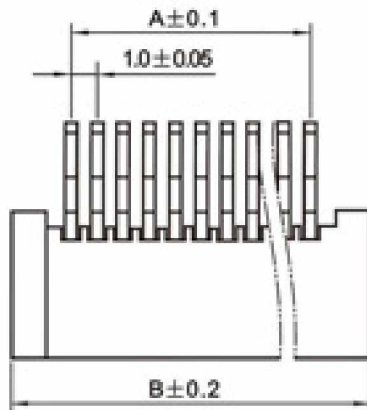
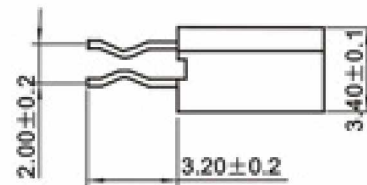
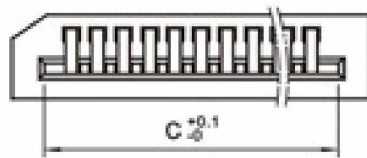
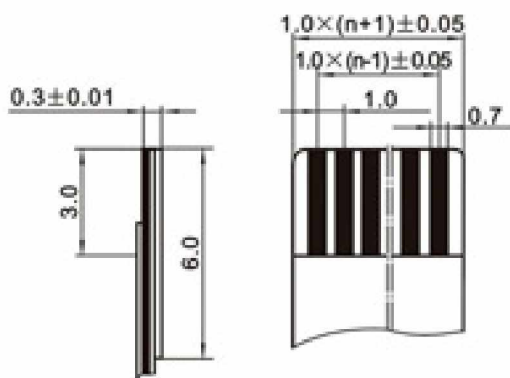


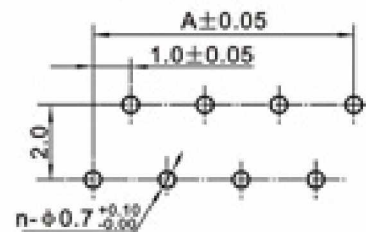
# 1.0A-L-nPF



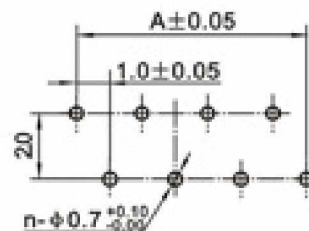
安装图  
ASSEMBLY LAYOUT



适用扁平电缆  
Proper cable

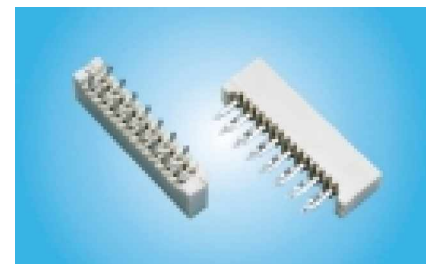
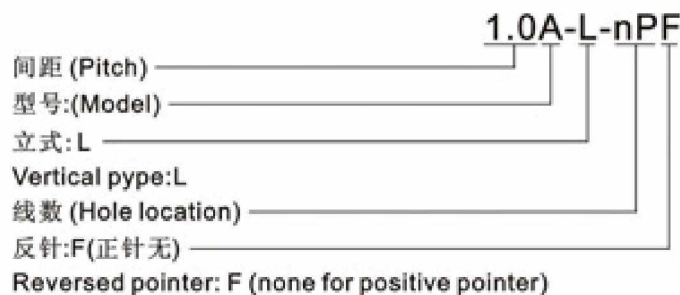


正针 PCB 寸法  
Positive needle PCB LAYOUT



反针 PCB 寸法  
Versa needle PCB LAYOUT

## 1.0A-L-nPF



Yueqing sunrising electronic co.,ltd  
Tel: 0086-13634204680  
<http://www.china-electrical-supplier.com>  
master@china-electrical-supplier.com