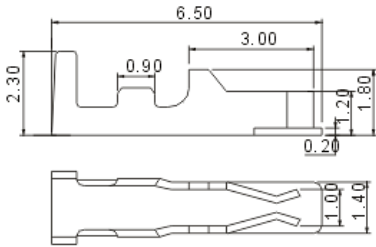




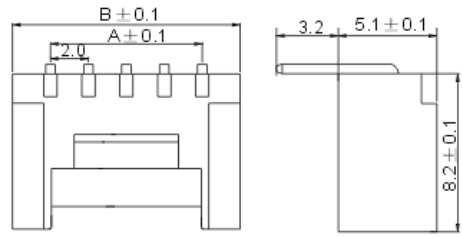
Yueqing sunrising electronics co.,ltd
 Tel: 0086-13634204680
<http://www.china-electrical-supplier.com>
master@china-electrical-supplier.com

Specifications	
Pitch	2.0mm
Poles	2~16
Useable wire range	AWG30#~26#
Applicable PC board thickness	0.8mm
Material	
Housing	NYlon66 UL94V-0
Pin header	
1. Water	NYlon66 UL94V-0
2. Pin	Brass
3. Terminal	Phosphor Bronze

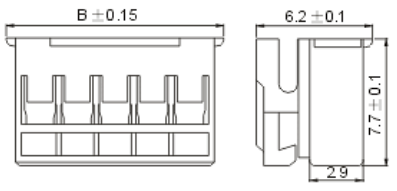
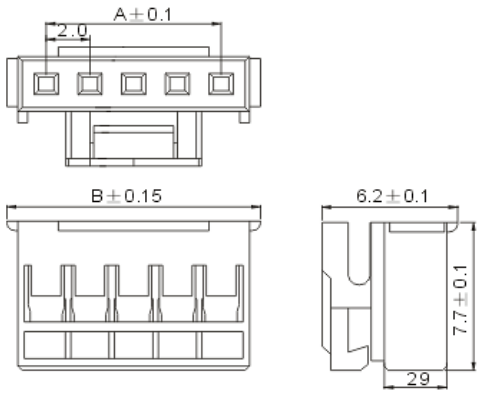
PHB-T



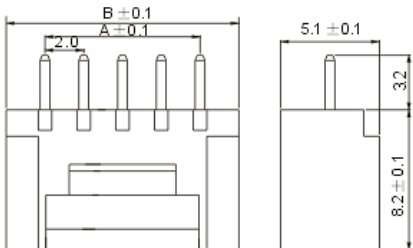
PHB-AW



PHB-Y



PHB-A



孔位 poles	型号(Type)			A	B
2	PHB-2Y	PHB-2A	PHB-2AW	2.00	6.00
3	PHB-3Y	PHB-3A	PHB-3AW	4.00	8.00
4	PHB-4Y	PHB-4A	PHB-4AW	6.00	10.00
5	PHB-5Y	PHB-5A	PHB-5AW	8.00	12.00
6	PHB-6Y	PHB-6A	PHB-6AW	10.00	14.00
7	PHB-7Y	PHB-7A	PHB-7AW	12.00	16.00
8	PHB-8Y	PHB-8A	PHB-8AW	14.00	18.00
9	PHB-9Y	PHB-9A	PHB-9AW	16.00	20.00
10	PHB-10Y	PHB-10A	PHB-10AW	18.00	22.00
11	PHB-11Y	PHB-11A	PHB-11AW	20.00	24.00
12	PHB-12Y	PHB-12A	PHB-12AW	22.00	26.00
13	PHB-13Y	PHB-13A	PHB-13AW	24.00	28.00
14	PHB-14Y	PHB-14A	PHB-14AW	26.00	30.00
15	PHB-15Y	PHB-15A	PHB-15AW	28.00	32.00
16	PHB-16Y	PHB-16A	PHB-16AW	30.00	34.00