

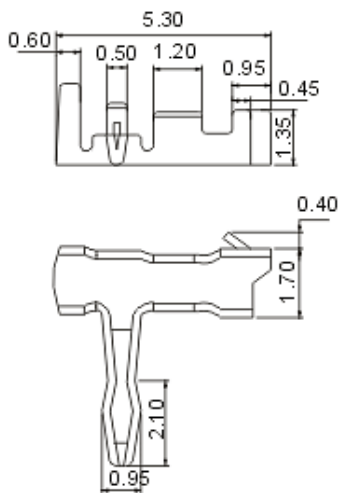


Specifications

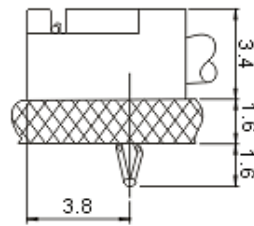
Pitch	2.0mm
Poles	2~16
Useable wire range	AWG30#~24#
Applicable PC board thickness	1.2~1.6mm
Material	
Housing	NYlon66 UL94V-0
Terminal	Phosphor Bronze

Yueqing sunrising electronics co.,ltd
 Tel: 0086-13634204680
<http://www.china-electrical-supplier.com>
master@china-electrical-supplier.com

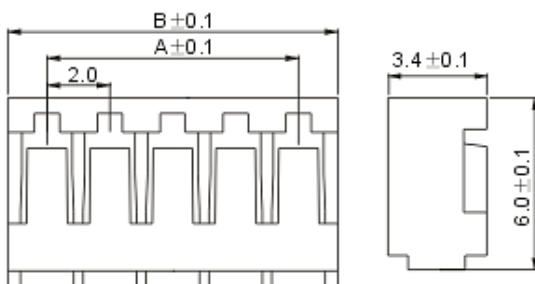
JC20-T



装配图
ASSEMBLY DIAGRAM



JC20-P



孔位 poles	型号(Type)	A	B
2	JC20-2P	2.00	4.50
3	JC20-3P	4.00	6.50
4	JC20-4P	6.00	8.50
5	JC20-5P	8.00	10.50
6	JC20-6P	10.00	12.50
7	JC20-7P	12.00	14.50
8	JC20-8P	14.00	16.50
9	JC20-9P	16.00	18.50
10	JC20-10P	18.00	20.50
11	JC20-11P	20.00	22.50
12	JC20-12P	22.00	24.50
13	JC20-13P	24.00	26.50
14	JC20-14P	26.00	28.50
15	JC20-15P	28.00	30.50
16	JC20-16P	30.00	32.50