

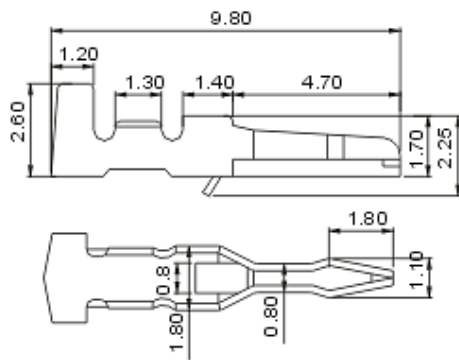


Specifications

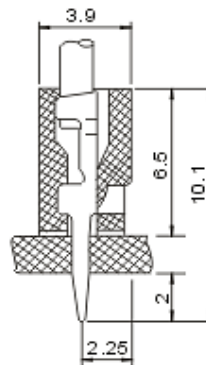
Pitch	2.5mm
Poles	2~16
Useable wire range	AWG28#~22#
Applicable PC board thickness	1.2~1.6mm
Material	
Housing	NYlon66 UL94V-0
Terminal	Phosphor Bronze

Yueqing sunrising electronics co.,ltd  
 Tel: 0086-13634204680  
<http://www.china-electrical-supplier.com>  
[master@china-electrical-supplier.com](mailto:master@china-electrical-supplier.com)

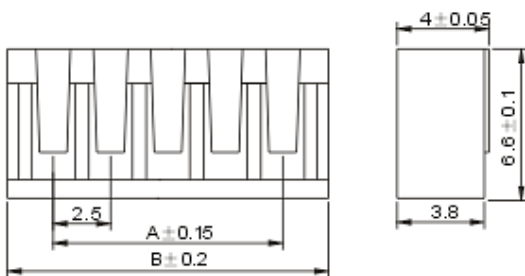
SCN-T



装配图  
ASSEMBLY DIAGRAM



SCN-P



孔位 poles	型号(Type)	A	B
2	SCN-2P	2.50	6.50
3	SCN-3P	5.00	9.00
4	SCN-4P	7.50	11.50
5	SCN-5P	10.00	14.00
6	SCN-6P	12.50	16.50
7	SCN-7P	15.00	19.00
8	SCN-8P	17.50	21.50
9	SCN-9P	20.00	24.00
10	SCN-10P	22.50	26.50
11	SCN-11P	25.00	29.00
12	SCN-12P	27.50	31.50
13	SCN-13P	30.00	34.00
14	SCN-14P	32.50	36.50
15	SCN-15P	35.00	39.00
16	SCN-16P	37.50	41.50