

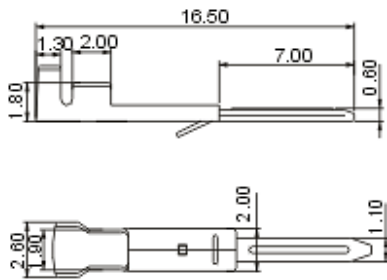


Specifications

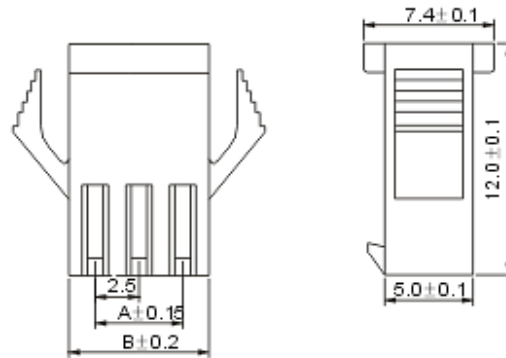
Pitch	2.5mm
Poles	2~12
Useable wire range	AWG28#~22#
Material	
Housing	NYlon66 UL94V-0
Terminal	Phosphor Bronze

Yueqing sunrising electronics co.,ltd
 Tel: 0086-13634204680
<http://www.china-electrical-supplier.com>
master@china-electrical-supplier.com

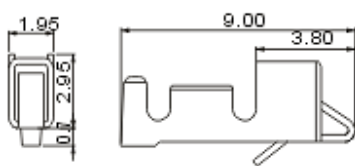
SM-R-T



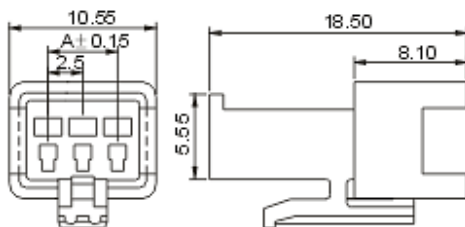
SM-P



SM-P-T



SM-R



孔位 poles	型号(Type)		A	B
2	SM-2P	SM-2R	2.50	5.50
3	SM-3P	SM-3R	5.00	8.00
4	SM-4P	SM-4R	7.50	10.50
5	SM-5P	SM-5R	10.00	13.00
6	SM-6P	SM-6R	12.50	15.50
7	SM-7P	SM-7R	15.00	18.00
8	SM-8P	SM-8R	17.50	20.50
9	SM-9P	SM-9R	20.00	23.00
10	SM-10P	SM-10R	22.50	25.50
11	SM-11P	SM-11R	25.00	28.00
12	SM-12P	SM-12R	27.50	30.50