

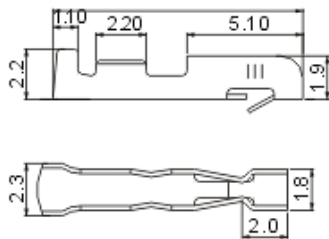


Yueqing sunrising electronics co.,ltd
 Tel: 0086-13634204680
<http://www.china-electrical-supplier.com>
master@china-electrical-supplier.com

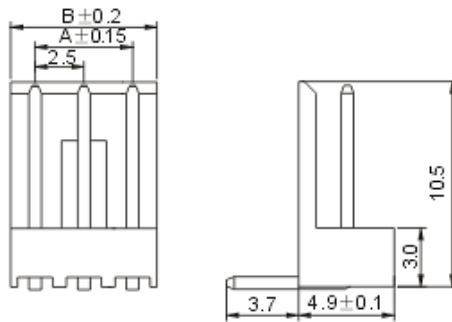
Specifications

| | |
|-------------------------------|-----------------|
| Pitch | 2.54mm |
| Poles | 2~12 |
| Useable wire range | AWG28#~22# |
| Applicable PC board thickness | 1.6mm |
| Material | |
| Housing | NYlon66 UL94V-0 |
| Pin header | |
| 1. Water | NYlon66 UL94V-0 |
| 2. Pin | Brass |
| 3. Terminal | Phosphor Bronze |

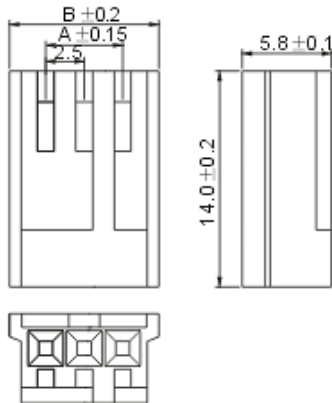
JVC-T



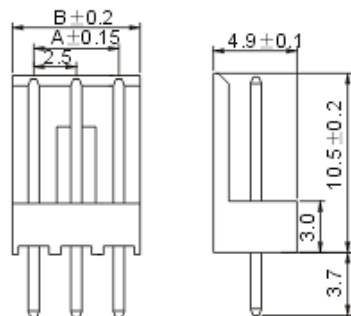
JVC-AW



JVC-Y



JVC-A



| 孔位 poles | 型号(Type) | | | A | B |
|----------|----------|---------|----------|-------|-------|
| 2 | JVC-2Y | JVC-2A | JVC-2AW | 2.50 | 5.00 |
| 3 | JVC-3Y | JVC-3A | JVC-3AW | 5.00 | 7.50 |
| 4 | JVC-4Y | JVC-4A | JVC-4AW | 7.50 | 10.00 |
| 5 | JVC-5Y | JVC-5A | JVC-5AW | 10.00 | 12.50 |
| 6 | JVC-6Y | JVC-6A | JVC-6AW | 12.50 | 15.00 |
| 7 | JVC-7Y | JVC-7A | JVC-7AW | 15.00 | 17.50 |
| 8 | JVC-8Y | JVC-8A | JVC-8AW | 17.50 | 20.00 |
| 9 | JVC-9Y | JVC-9A | JVC-9AW | 20.00 | 22.50 |
| 10 | JVC-10Y | JVC-10A | JVC-10AW | 22.50 | 25.00 |
| 11 | JVC-11Y | JVC-11A | JVC-11AW | 25.00 | 27.50 |
| 12 | JVC-12Y | JVC-12A | JVC-12AW | 27.50 | 30.00 |