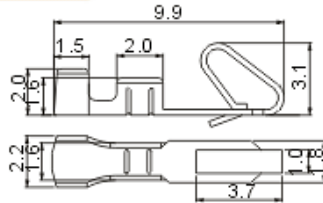


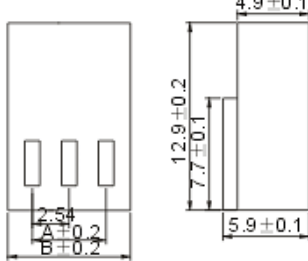
Yueqing sunrising electronics co.,ltd  
 Tel: 0086-13634204680  
<http://www.china-electrical-supplier.com>  
[master@china-electrical-supplier.com](mailto:master@china-electrical-supplier.com)

Specifications	
Pitch	2.54mm
Poles	2~20
Useable wire range	AWG28#~22#
Applicable PC board thickness	1.6mm
Material	
Housing	NYlon66 UL94V-0
Pin header	
1.Wafer	NYlon66 UL94V-0
2.Pin	Brass
3.Terminal	Phosphor Bronze

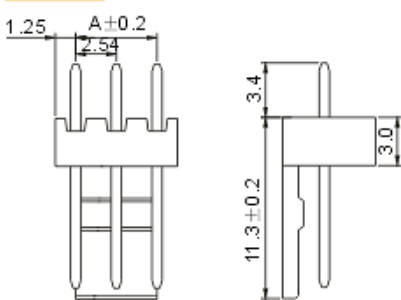
**2510-T**



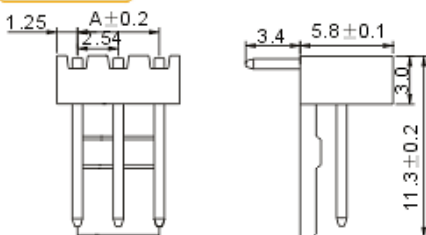
**2510-Y**



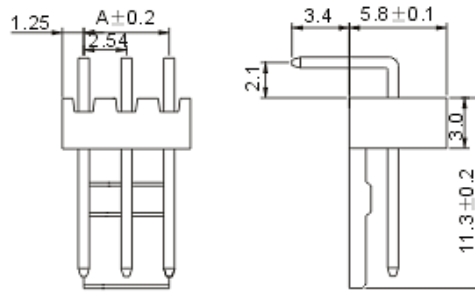
**2510-A**



**2510-AW**



**2510-AWG**



孔位 poles	型号(Type)				A	B
2	2510-2Y	2510-2A	2510-2AW	2510-2AWG	2.54	5.74
3	2510-3Y	2510-3A	2510-3AW	2510-3AWG	5.08	8.28
4	2510-4Y	2510-4A	2510-4AW	2510-4AWG	7.26	10.82
5	2510-5Y	2510-5A	2510-5AW	2510-5AWG	10.16	13.36
6	2510-6Y	2510-6A	2510-6AW	2510-6AWG	12.70	15.90
7	2510-7Y	2510-7A	2510-7AW	2510-7AWG	15.24	18.44
8	2510-8Y	2510-8A	2510-8AW	2510-8AWG	17.78	20.98
9	2510-9Y	2510-9A	2510-9AW	2510-9AWG	10.32	23.52
10	2510-10Y	2510-10A	2510-10AW	2510-10AWG	22.86	26.06
11	2510-11Y	2510-11A	2510-11AW	2510-11AWG	25.40	28.60
12	2510-12Y	2510-12A	2510-12AW	2510-12AWG	27.94	31.44
13	2510-13Y	2510-13A	2510-13AW	2510-13AWG	30.48	33.68
14	2510-14Y	2510-14A	2510-14AW	2510-14AWG	33.02	36.22
15	2510-15Y	2510-15A	2510-15AW	2510-15AWG	35.56	38.76
16	2510-16Y	2510-16A	2510-16AW	2510-16AWG	38.10	41.30
17	2510-17Y	2510-17A	2510-17AW	2510-17AWG	40.64	43.84
18	2510-18Y	2510-18A	2510-18AW	2510-18AWG	43.18	46.38
19	2510-19Y	2510-19A	2510-19AW	2510-19AWG	45.72	48.92
20	2510-20Y	2510-20A	2510-20AW	2510-20AWG	48.26	51.46