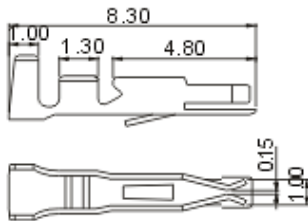


Yueqing sunrising electronics co.,ltd
 Tel: 0086-13634204680
<http://www.china-electrical-supplier.com>
master@china-electrical-supplier.com

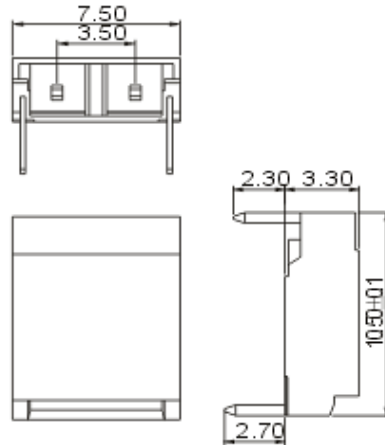
Specifications

Pitch	3.5mm
Poles	2~24
Useable wire range	AWG28#~22#
Applicable PC board thickness	1.6mm
Material	
Housing	NYlon66 UL94V-0
Pin header	
1. Water	NYlon66 UL94V-0
2. Pin	Phosphor Bronze
3. Terminal	Phosphor Bronze

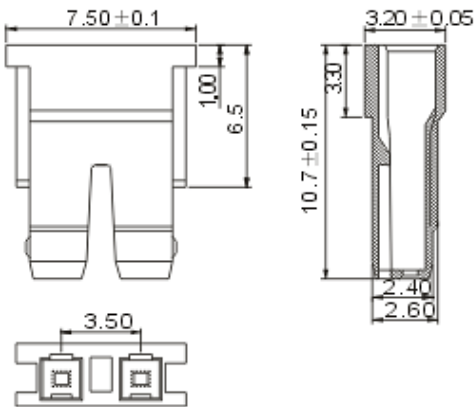
BHS-T



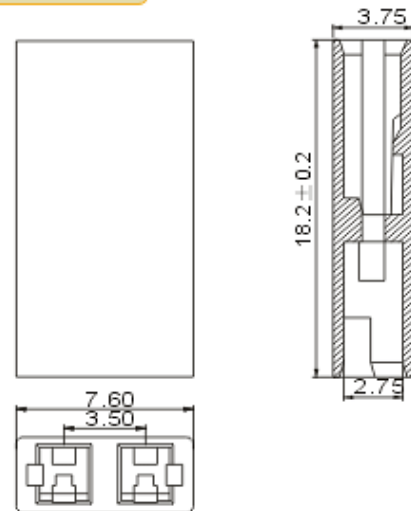
BHS-AW



BHS-Y



BHS-P



BHS-AWB

