

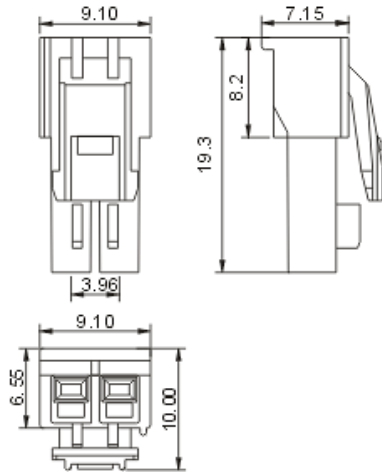


Yueqing sunrising electronics co.,ltd
 Tel: 0086-13634204680
<http://www.china-electrical-supplier.com>
master@china-electrical-supplier.com

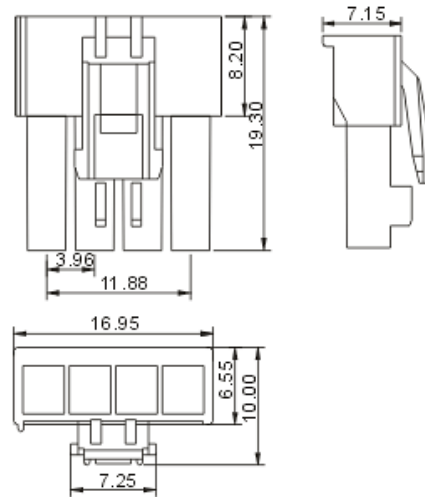
Specifications

Pitch	4.2mm
Useable wire range	AWG24# ~ 18#
Applicable PC board thickness	1.6mm
Material	
Housing	NYlon66 UL94V-0
Pin header	
1. Water	NYlon66 UL94V-0
2. Pin	Brass
3. Terminal	Phosphor Bronze

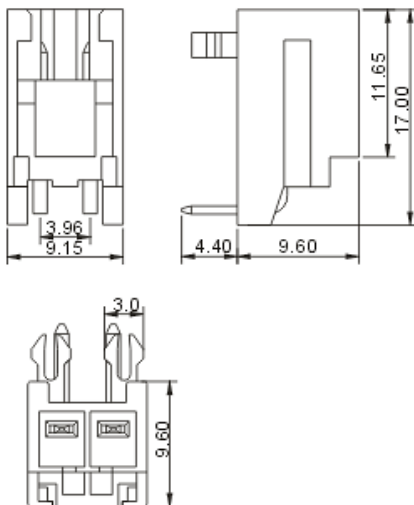
3960-2Y



3960-4Y



3960-2AW



3960-4AW

