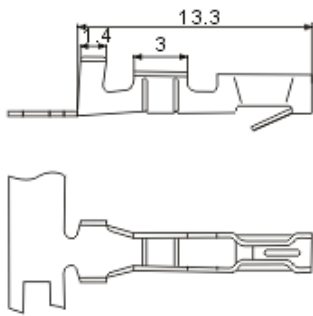




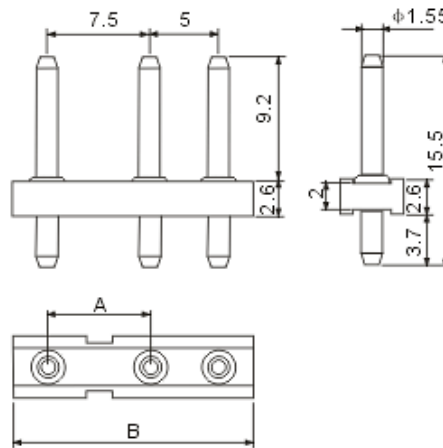
Yueqing sunrising electronics co.,ltd  
 Tel: 0086-13634204680  
<http://www.china-electrical-supplier.com>  
[master@china-electrical-supplier.com](mailto:master@china-electrical-supplier.com)

Specifications	
Pitch	7.5-5.0-5.0...5.0mm
Poles	1~6
Useable wire range	AWG26#~20#
Applicable PC board thickness	1.6mm
Material	
Housing	NYlon66 UL94V-0
Pin header	
1. Water	PBT UL94V-0
2. Pin	Brass
3. Terminal	Phosphor Bronze

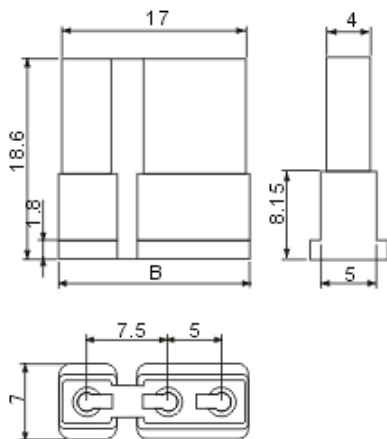
**TJC2-T**



**TJC2-A**



**TJC2-Y**



孔位 poles	型号(Type)		A	B
1	TJC2-1Y	TJC2-1A	/	/
2	TJC2-2Y	TJC2-2A	7.5	12.5
3	TJC2-3Y	TJC2-3A	12.5	17.5
4	TJC2-4Y	TJC2-4A	17.5	22.5
5	TJC2-5Y	TJC2-5A	22.5	27.5
6	TJC2-6Y	TJC2-6A	27.5	32.5